

2022072915001

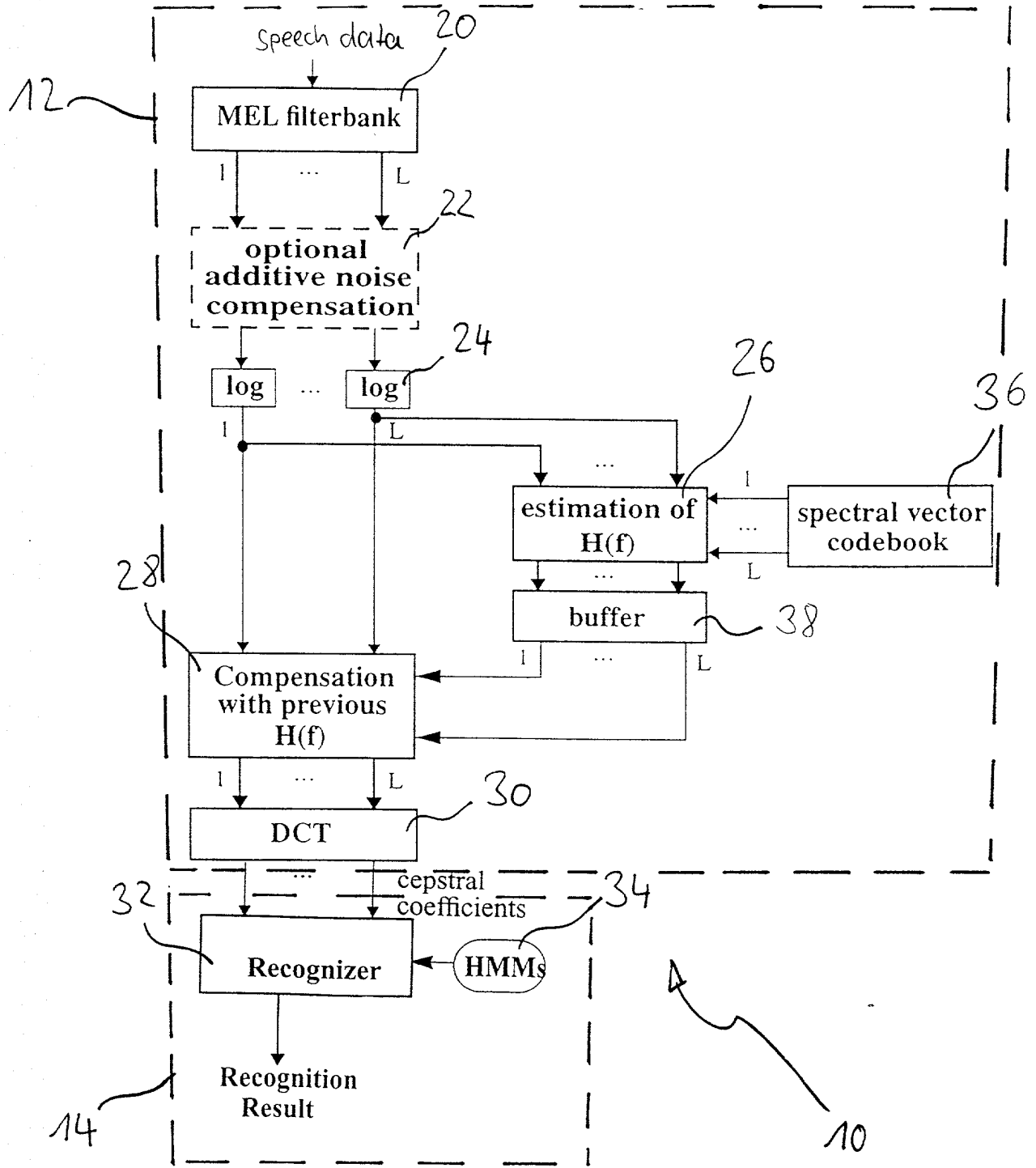


Fig. 1

20250724153037

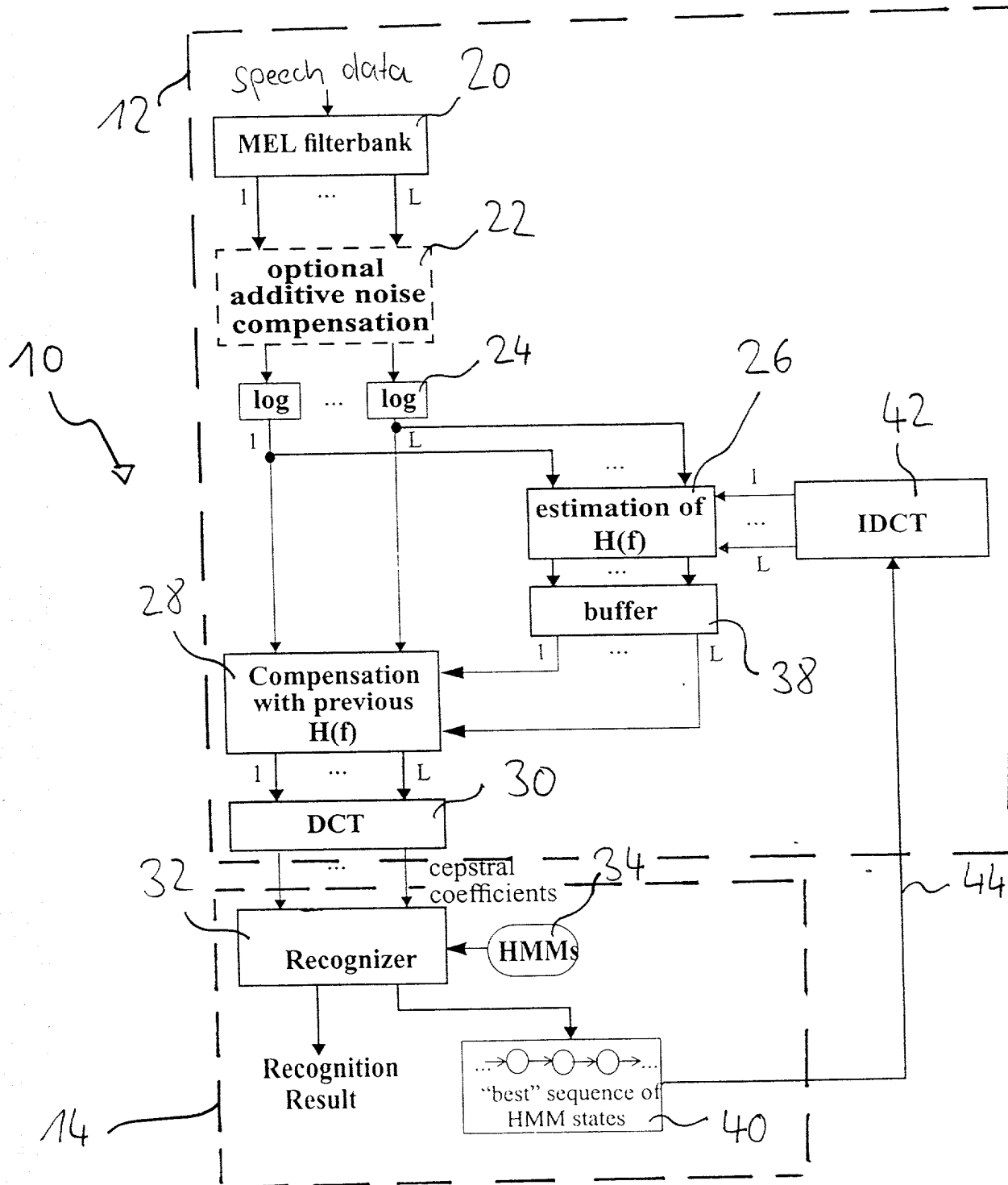


Fig. 2

RECEIVED

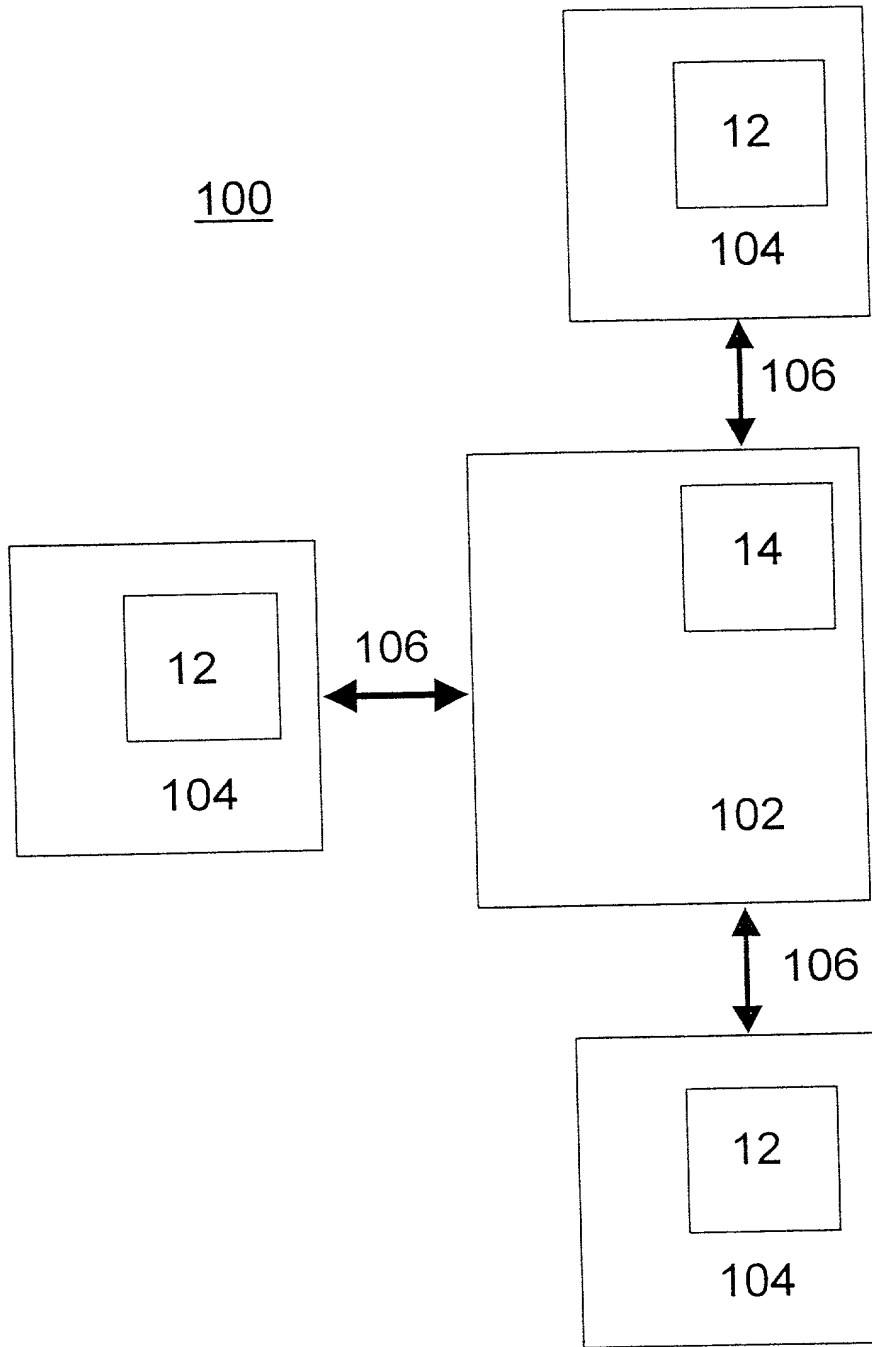


Fig. 3